

**US Army Corps of Engineers**  
 Jacksonville District  
**SAFETY ON THIS JOB  
 DEPENDS ON YOU**

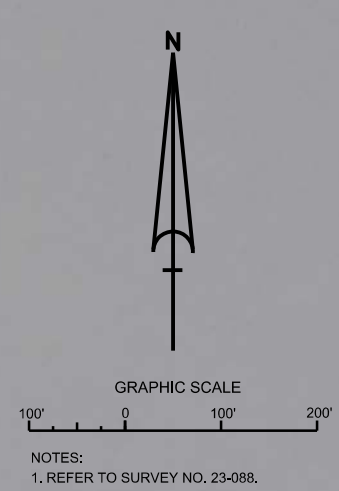
DESIGNED BY: WRM  
 DRAWN BY: WRM  
 FILE NO.: 230885-C-ES-BC-RRALDGN  
 DATE: SEP 2022

DEPARTMENT OF THE ARMY  
 JACKSONVILLE DISTRICT, CORPS OF ENGINEERS  
 JACKSONVILLE, FLORIDA

Cut by: GMR  
 230885-AVAV.DGN  
 230885-C-CON.LDGN  
 230885-C-PHCHANNEL.DGN  
 230885-C-ES-BC-RRALDGN  
 Reference File:  
 230885-HR02.DGN

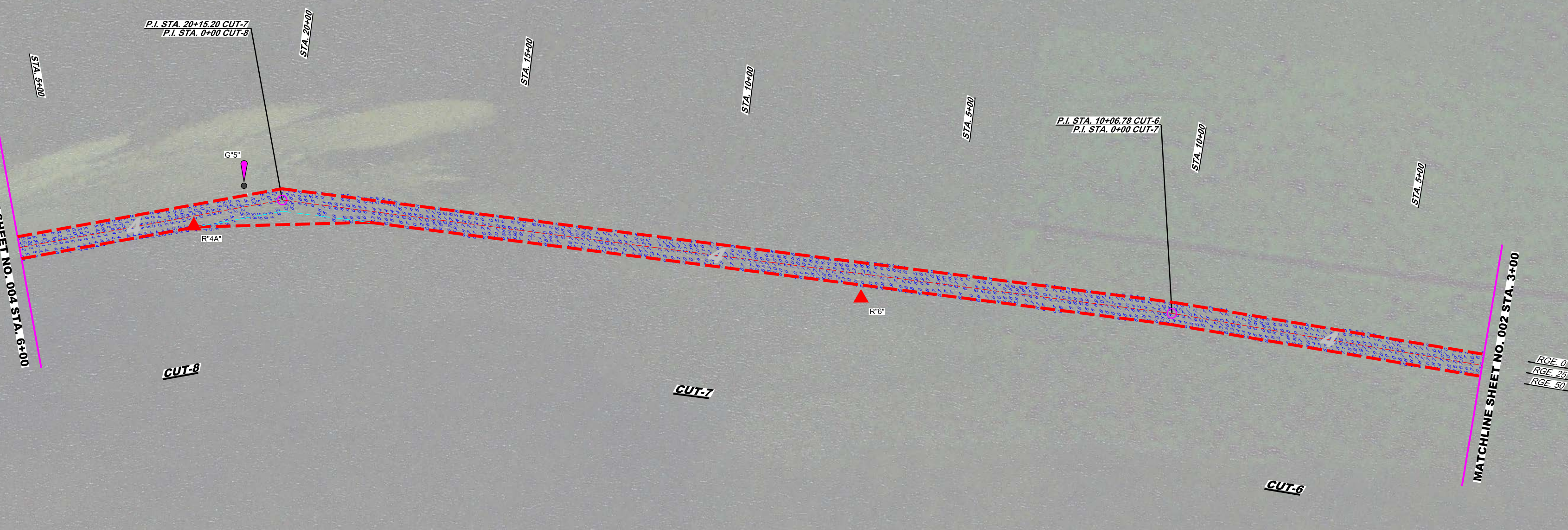
CEDAR ISLAND / KEATON BEACH  
 TAYLOR COUNTY, FLORIDA  
**PROJECT CONDITION SURVEY FY22**  
**4-FOOT PROJECT**  
 STA. 0+00 CUT-1 THRU STA. 3+00 CUT-6  
**PLAN**

MAP LABEL	AIDS TO NAVIGATION	PLANE COORDINATES		LATITUDE	LONGITUDE
		X	Y		
R*8	I=3 (09/22)	2,253,750	297,340	29°48'52.23"	83°58'01.88"
R*10	DBN10 (09/22)	2,254,797	297,346	29°48'52.24"	83°58'01.99"
G*11	I=11 (09/22)	2,254,834	297,431	29°48'53.04"	83°58'09.00"
R*12	DBN12 (09/22)	2,254,957	297,419	29°48'51.93"	83°58'08.16"
G*13	DBN13 (09/22)	2,255,310	297,208	29°48'50.80"	83°58'44.16"
G*15	DBN15 (09/22)	2,255,432	297,172	29°48'50.43"	83°58'42.23"
R*16	I=16 (09/22)	2,255,055	297,439	29°48'53.03"	83°58'05.70"
G*17	DBN17 (09/22)	2,255,698	297,340	29°48'54.03"	83°58'08.34"
R*18	DBN18 (09/22)	2,255,300	298,078	29°48'59.29"	83°58'23.87"
G*19	I=19 (09/22)	2,255,455	298,393	29°49'02.44"	83°58'30.92"
R*20	DBN20 (09/22)	2,255,537	298,355	29°49'02.06"	83°58'30.14"





GULF OF MEXICO



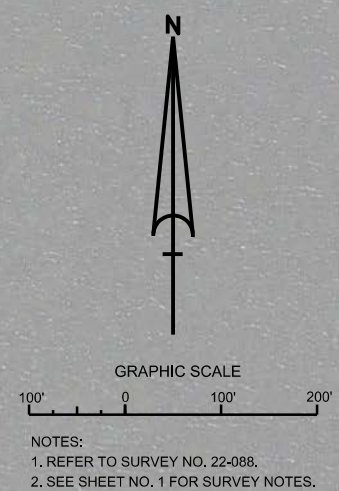
DEPARTMENT OF THE ARMY  
JACKSONVILLE DISTRICT, CORPS OF ENGINEERS  
JACKSONVILLE, FLORIDA

Checked by: GHR  
Designed by: WRM  
Drawn by: WRM  
File Name: 22-088-4-000000.DGN  
Date: SEP 2022

CEAR ISLAND / KEATON BEACH  
TAYLOR COUNTY, FLORIDA  
**PROJECT CONDITION SURVEY FY22  
4-FOOT PROJECT**  
STA. 3+00 CUT-6 THRU STA. 6+00 CUT-8  
**PLAN**

Scale: AS SHOWN  
Drawing no.  
**3**  
SHEET 03 OF 06

MAP LABEL	AIDS TO NAVIGATION	PLANE COORDINATES		LATITUDE	LONGITUDE
		X	Y		
R4A1	DBN-1A (09/22)	2250.650	297.743	29°48'56.46"	83°36'37.03"
C65	LT-51 (09/22)	2250.763	297.833	29°48'57.63"	83°36'35.76"
R6'	DBN-8 (09/22)	2252.149	297.691	29°48'54.74"	83°36'20.03"



NOTES:  
1. REFER TO SURVEY NO. 22-088.  
2. SEE SHEET NO. 1 FOR SURVEY NOTES.





US Army Corps of Engineers  
Jacksonville District

SAFETY ON THIS JOB  
DEPENDS ON YOU


DEPARTMENT OF THE ARMY  
JACKSONVILLE DISTRICT, CORPS OF ENGINEERS  
JACKSONVILLE, FLORIDA

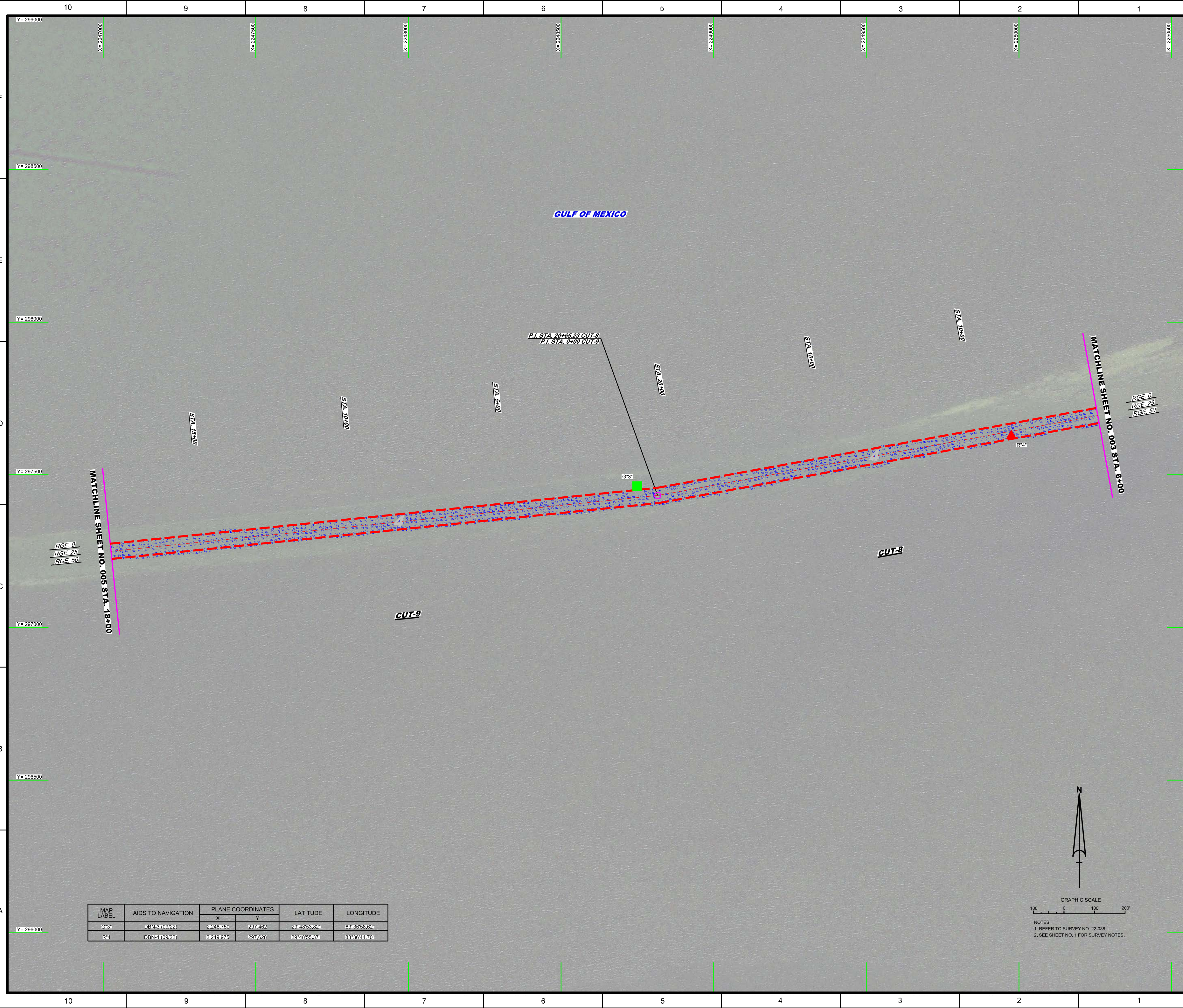
Checked by:	GMR
Designed by:	WRM
Drawn by:	WRM
File No.:	SEP 2022
Drawn Date:	SEP 2022
Reference Files:	XXXXXXXXXXXXXXXXXXXX.DGN XXXXXXXXXXXXXXXXXXXX.DGN XXXXXXXXXXXXXXXXXXXX.DGN XXXXXXXXXXXXXXXXXXXX.DGN XXXXXXXXXXXXXXXXXXXX.DGN XXXXXXXXXXXXXXXXXXXX.DGN XXXXXXXXXXXXXXXXXXXX.DGN XXXXXXXXXXXXXXXXXXXX.DGN XXXXXXXXXXXXXXXXXXXX.DGN XXXXXXXXXXXXXXXXXXXX.DGN

CEEDAR ISLAND / KEATON BEACH  
TAYLOR COUNTY, FLORIDA  
**PROJECT CONDITION SURVEY FY22  
4-FOOT PROJECT  
PLAN**  
STA. 6+00 CUT-9 THRU STA. 18+00 CUT-9

Scale: AS SHOWN

Drawing no.  
**4**

SHEET 04 OF 06



GULF OF MEXICO

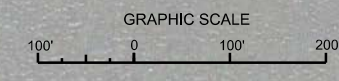
P.I. STA. 20+65.23 CUT-8  
P.I. STA. 6+00 CUT-9

MATCHLINE SHEET NO. 005 STA. 18+00

MATCHLINE SHEET NO. 003 STA. 6+00

CUT-8

CUT-9



NOTES:  
1. REFER TO SURVEY NO. 22-088.  
2. SEE SHEET NO. 1 FOR SURVEY NOTES.

MAP LABEL	AIDS TO NAVIGATION	PLANE COORDINATES		LATITUDE	LONGITUDE
		X	Y		
G-3	DBN-3 (09/22)	2248.750	297.462	29°48'53.82"	83°36'58.62"
R-4	DBN-4 (09/22)	2249.975	297.628	29°48'55.37"	83°36'44.70"

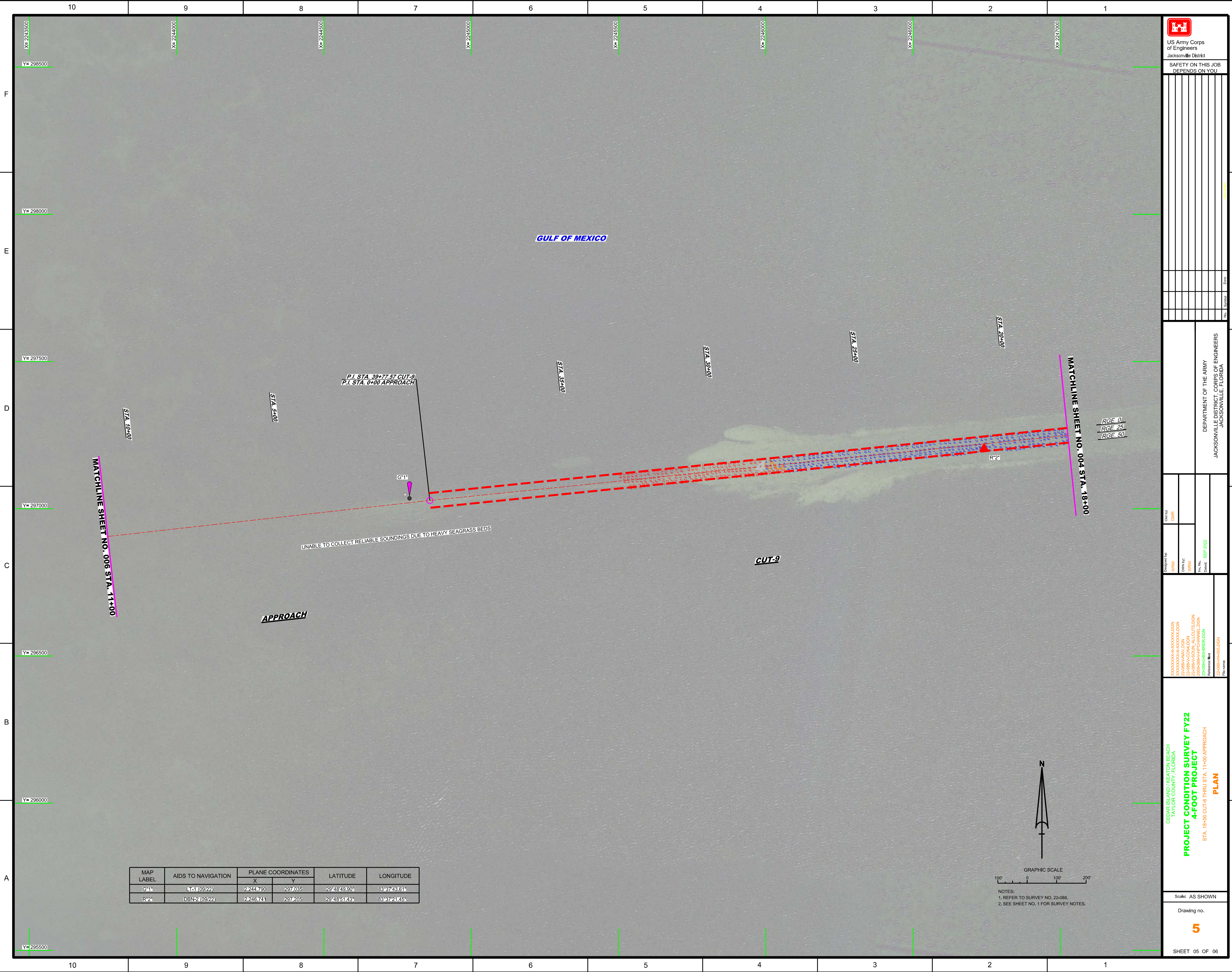
10 9 8 7 6 5 4 3 2 1

F  
E  
D  
C  
B  
A

A

10 9 8 7 6 5 4 3 2 1





US Army Corps of Engineers  
Jacksonville District

SAFETY ON THIS JOB  
DEPENDS ON YOU

No.	Symbol	Zone

DEPARTMENT OF THE ARMY  
JACKSONVILLE DISTRICT, CORPS OF ENGINEERS  
JACKSONVILLE, FLORIDA

Check By: GMR  
Designed By: WRM  
Drawn By: WRM  
File No.: 22-088-04  
Contract: SEP 2022

XXXXXXXXXXXXXXXXX.DGN  
22-088-04-00-0000-00-000.DGN  
22-088-04-00-0000-00-000.DGN  
22-088-04-00-0000-00-000.DGN  
22-088-04-00-0000-00-000.DGN  
22-088-04-00-0000-00-000.DGN  
22-088-04-00-0000-00-000.DGN

CEDAR ISLAND / KEATON BEACH  
TAYLOR COUNTY, FLORIDA

**PROJECT CONDITION SURVEY FY22  
4-FOOT PROJECT**

STA. 18+00 CUT-8 THRU STA. 11+00 APPROACH  
**PLAN**

Scale: AS SHOWN  
Drawing no. **5**  
SHEET 05 OF 06

MAP LABEL	AIDS TO NAVIGATION	PLANE COORDINATES		LATITUDE	LONGITUDE
		X	Y		
G*1	B <sup>1</sup> (09/22)	28247690	297085	29°48'49.80"	83°37'43.61"
R*2	DBN2 (09/22)	28246741	297205	29°48'51.45"	83°37'21.45"

